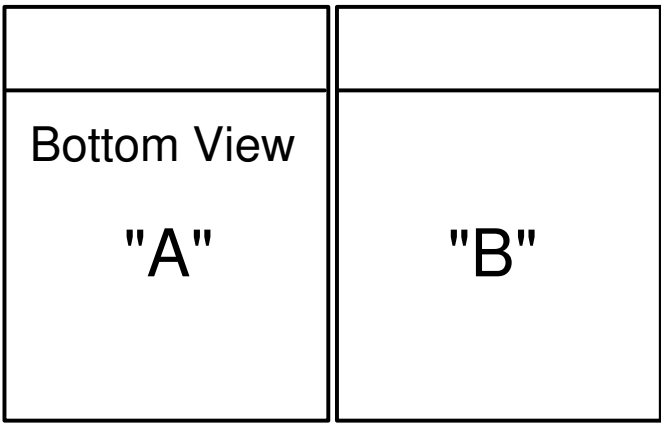
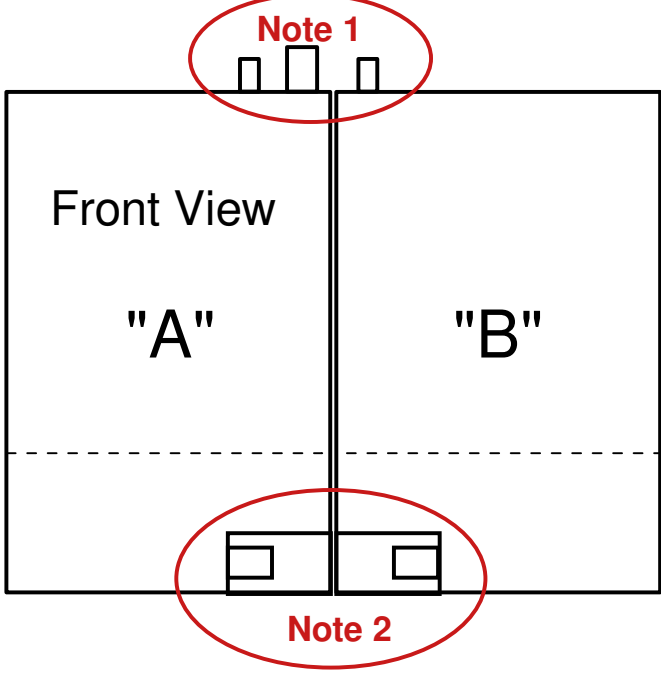
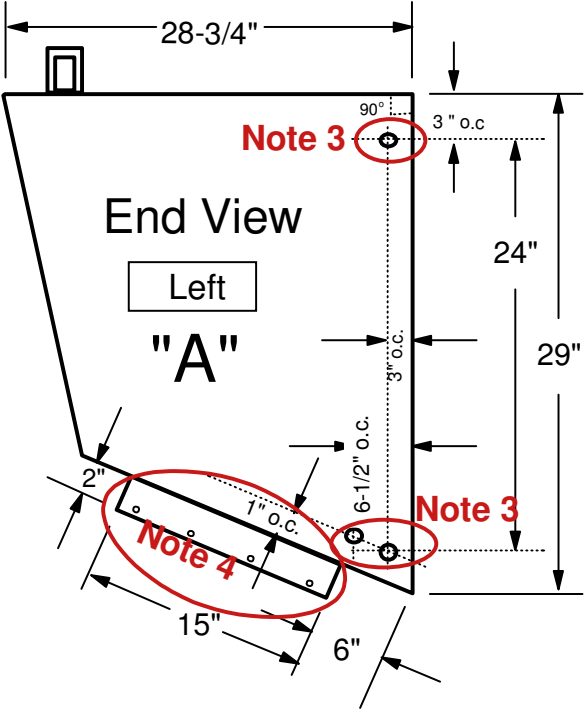
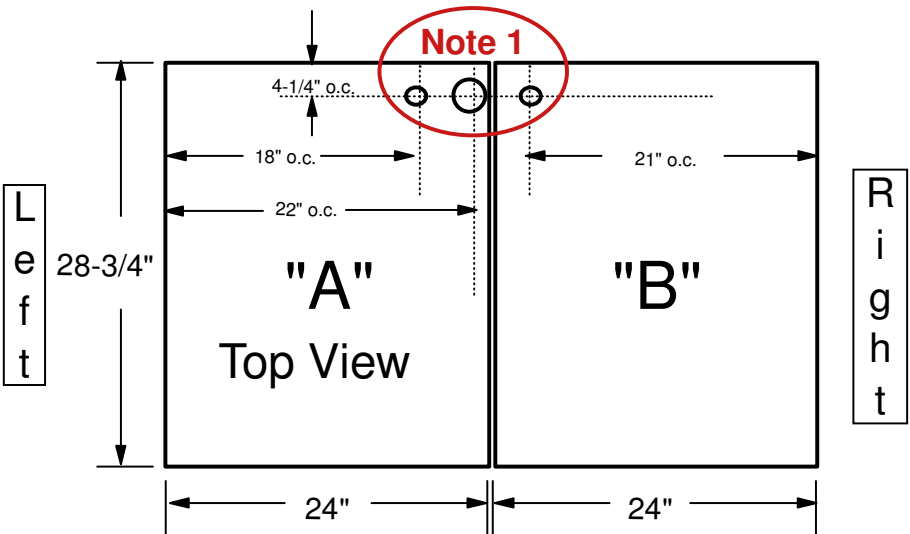
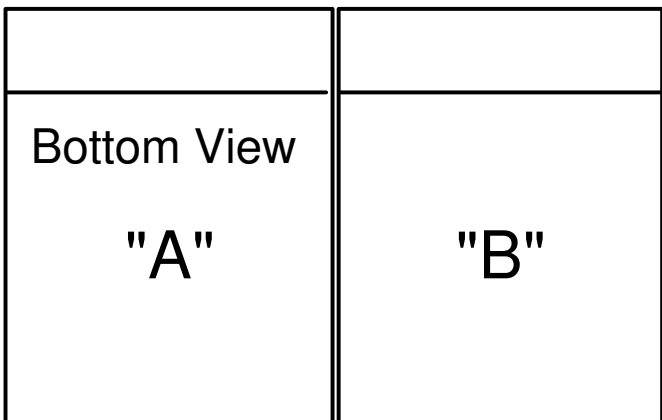
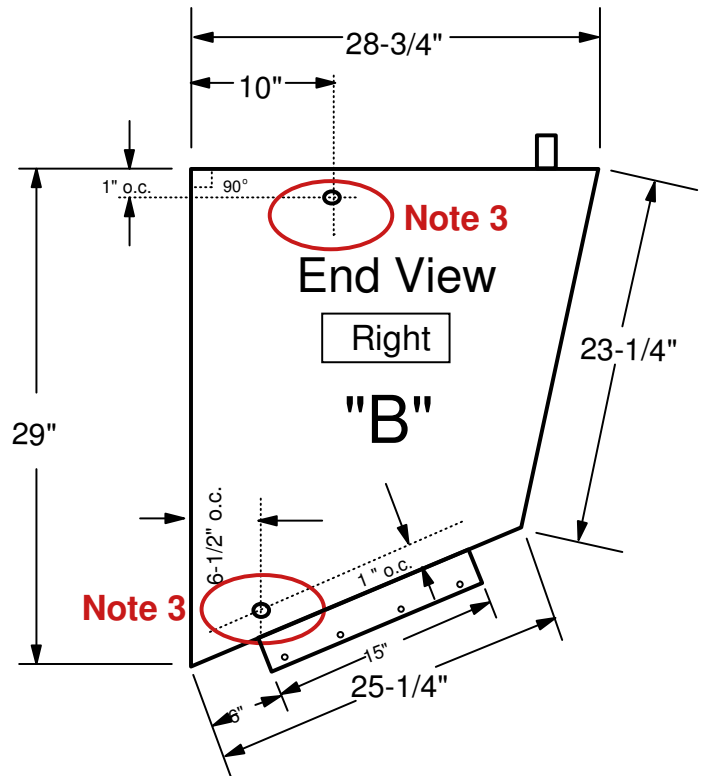
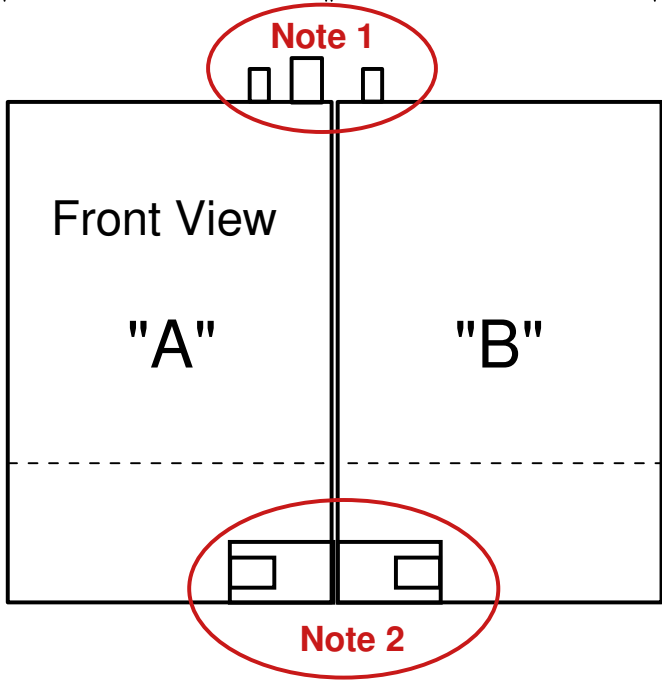
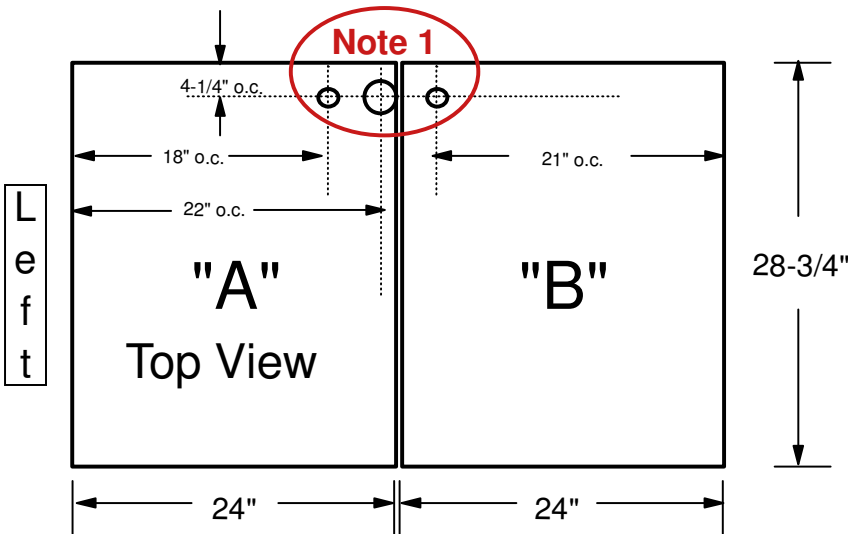


Monk 36' Diesel Fuel Tank - STBD



Monk 36' Diesel Fuel Tank - STBD

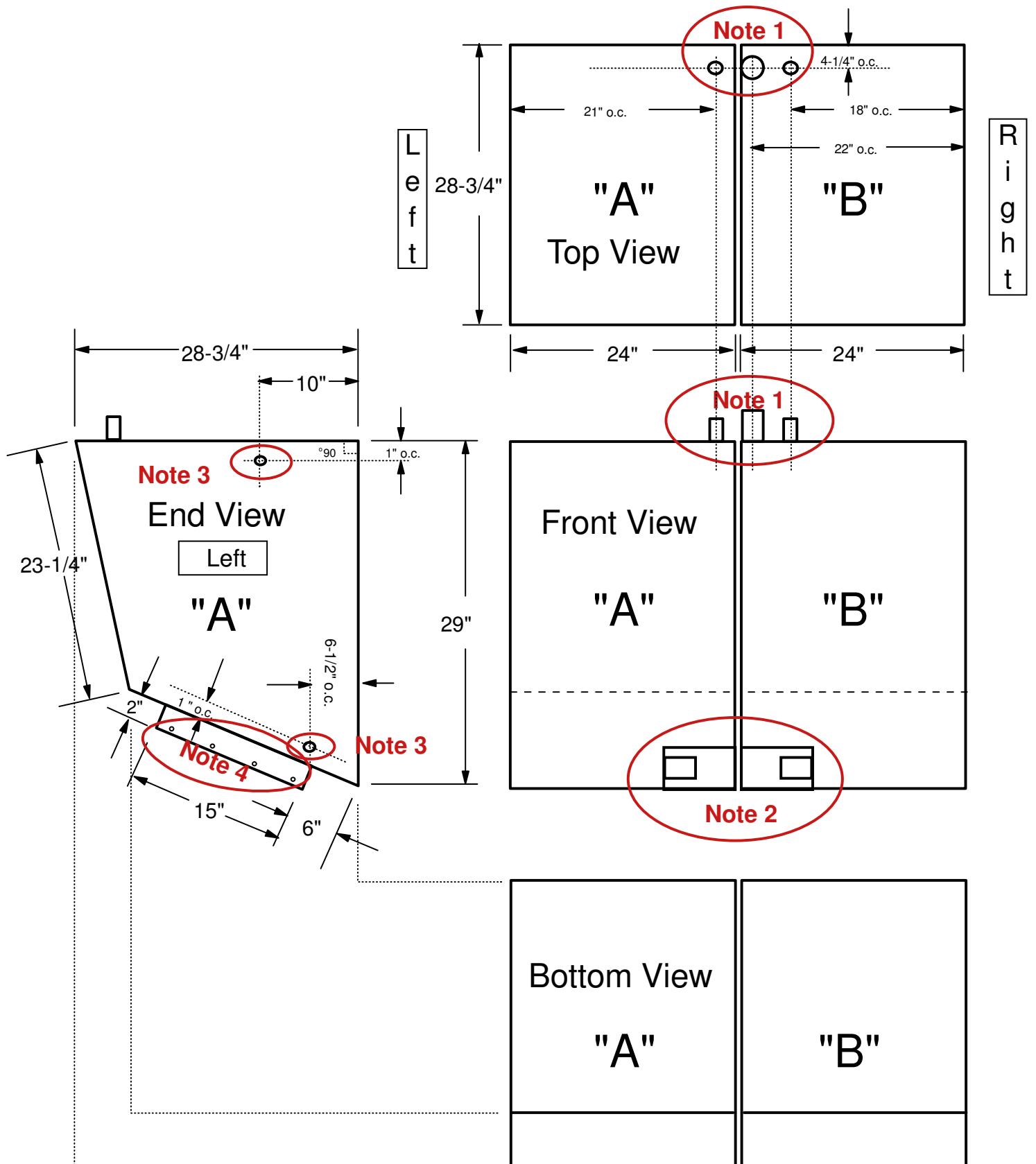


Monk 36' Diesel Fuel Tank - STBD

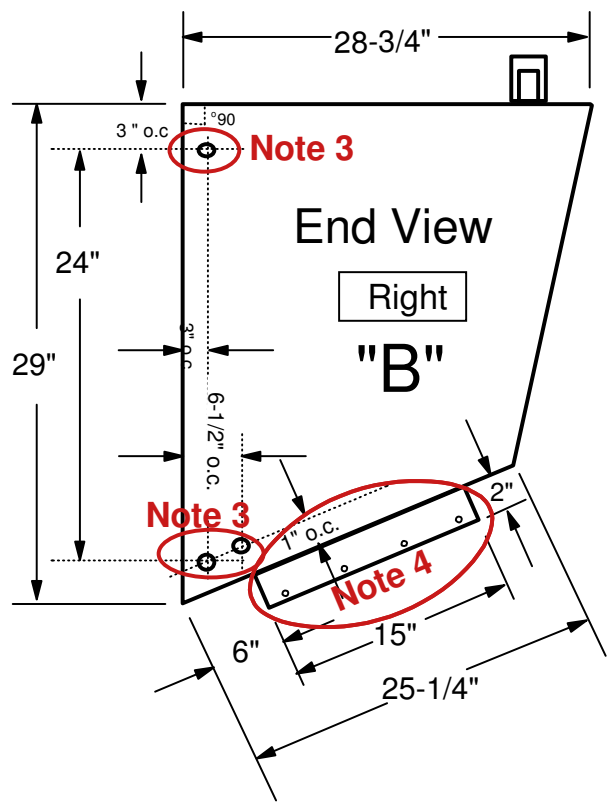
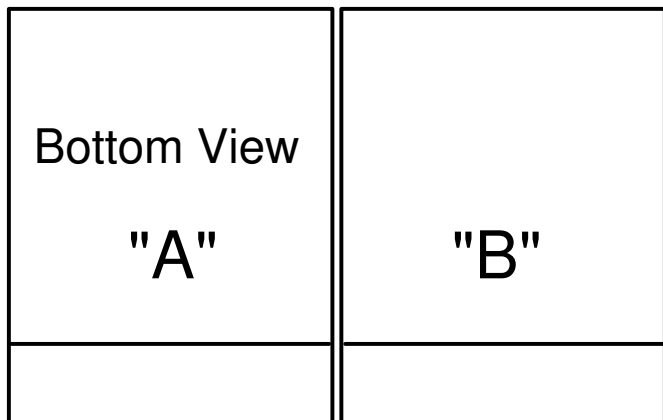
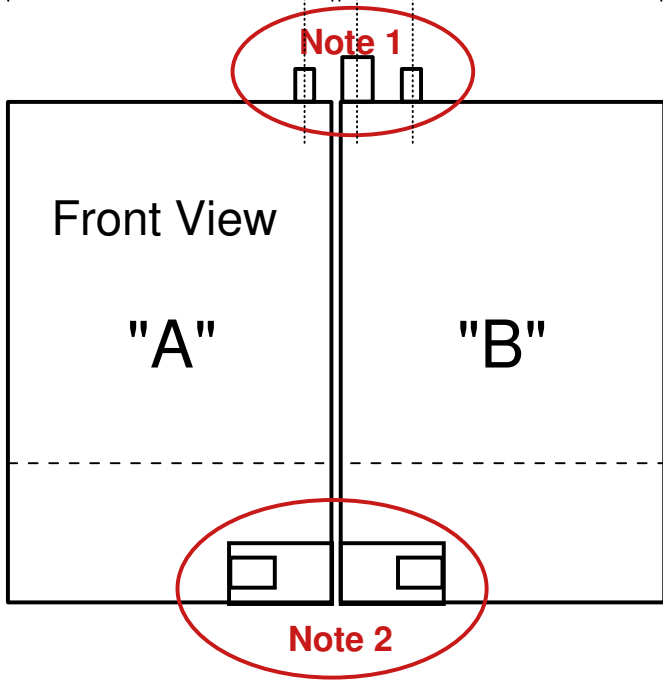
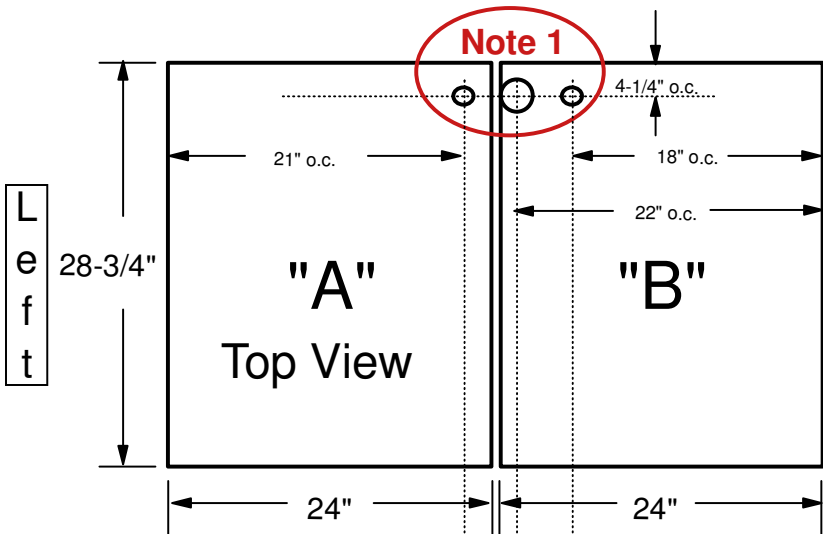
Notes:

1. Fill: 2" barbed hose fitting, Tank "A,"
Vent: 3/4" barbed hose fitting, both Tank "A" and Tank "B"
2. Recessed "boxes" on bottom of tanks "A" and "B" (refer to "front view") to be fit with 1-1/2" barbed fittings to accommodate fuel crossover hose connection.
3. The outside ends (Tank "A," left end, Tank "B," right end) are fit with fuel fittings. The configuration of those fitting is different. Tank "A" accommodates a crossover line and a sight glass. Tank "B" accommodates the engine's fuel supply outlet fitting (bottom) and the engine's excess fuel return line (top).
4. Flanges (15"L X 2"W X 1/4"D) on left end of Tank "A" and right end of Tank "B" to provide for mechanical attachment to boat's frame ribs. Drill 5/16" screw holes 1/2" from edge, spaced 4" apart

Monk 36' Diesel Fuel Tank - PORT



Monk 36' Diesel Fuel Tank - PORT

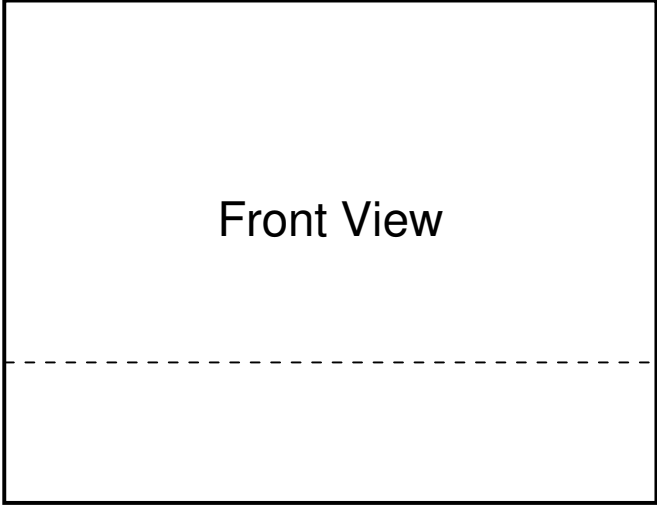
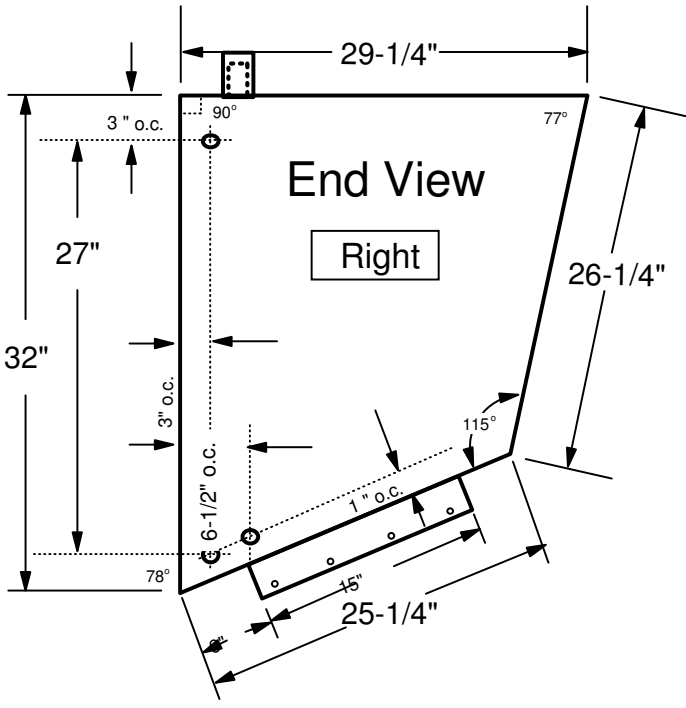
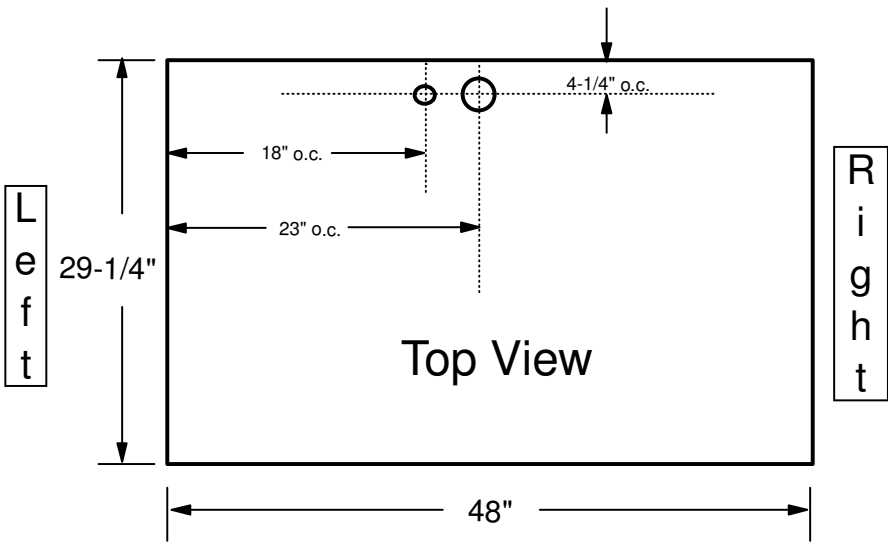


Monk 36' Diesel Fuel Tank - PORT

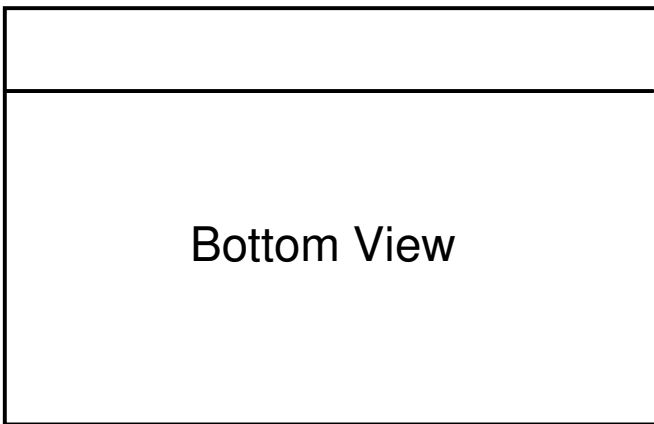
Notes:

1. Fill: 2" barbed hose fitting, Tank "B,"
Vent: 3/4" barbed hose fitting, both Tank "A" and Tank "B"
2. Recessed "boxes" on bottom of tanks "A" and "B" (refer to "front view") to be fit with 1-1/2" barbed fittings to accommodate fuel crossover hose connection.
3. The outside ends (Tank "A," left end, Tank "B," right end) are fit with fuel fittings. The configuration of those fitting is different. Tank "A" accommodates the engine's fuel supply outlet fitting (bottom) and the engine's excess fuel return line (top). Tank "B" accommodates a crossover line and a sight glass.
4. Flanges (15"L X 2"W X 1/4"D) on left end of Tank "A" and right end of Tank "B" to provide for mechanical attachment to boat's frame ribs. Drill 5/16" screw holes 1/2" from edge, spaced 4" apart

Monk 36' Diesel Fuel Tank

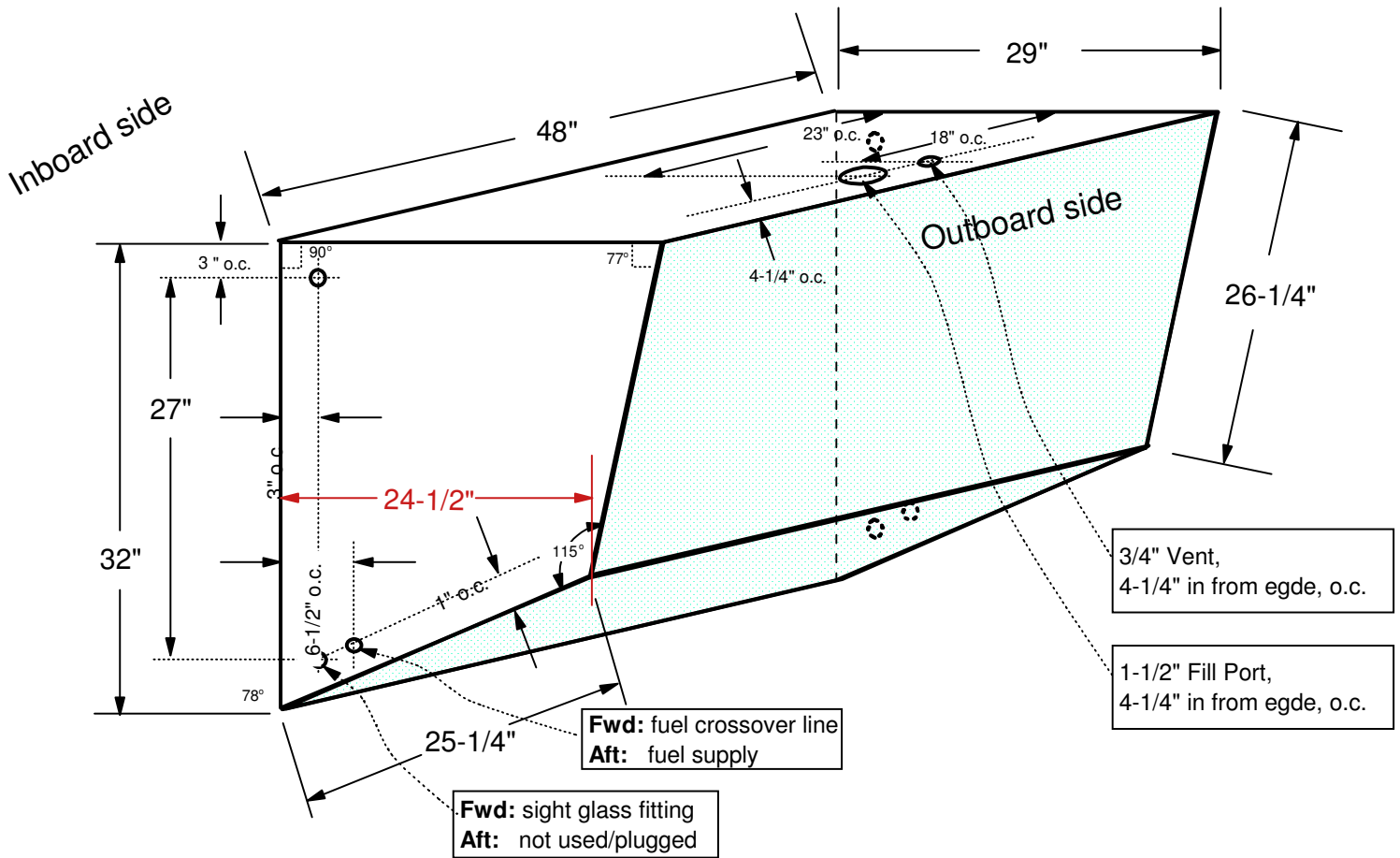


OEM Fuel Tank

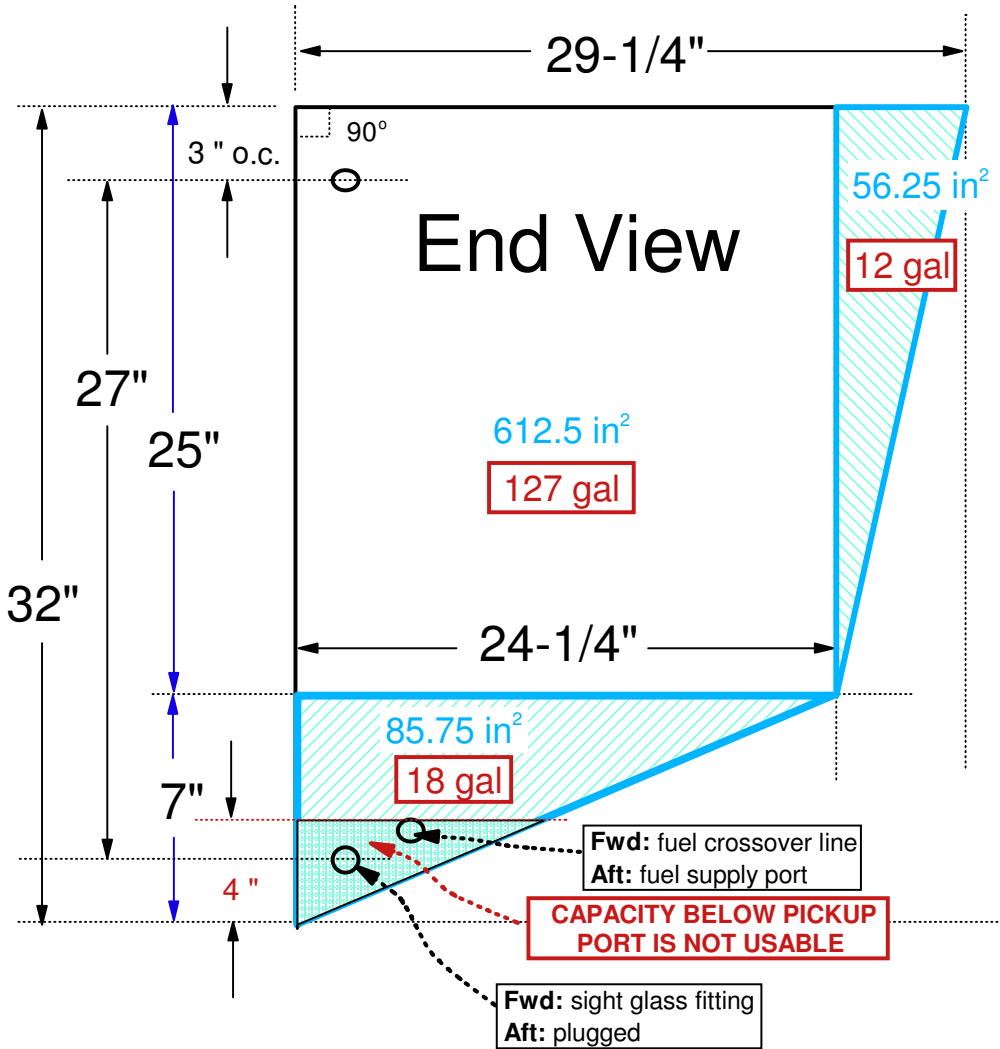


Monk 36' Diesel Fuel Tank

Isometric View



Monk 36' Diesel Fuel Tank



$$\begin{aligned}
 & 612.5 \text{ in}^2 \\
 & 56.25 \text{ in}^2 \\
 & + \quad 85.75 \text{ in}^2 \text{ - end cap area} \\
 & = \quad 754.5 \text{ in}^2 \\
 & \times \quad 48.0 \text{ in} \\
 & = \quad 36216. \text{ in}^3 \text{ - tank volume} \\
 & \div \quad 1728.0 \text{ in}^3/\text{ft}^3 \\
 & = \quad 20.96 \text{ ft}^3 \\
 & \div \quad 0.13 \text{ ft}^3/\text{Gallon} \\
 & = \quad \underline{\underline{156.78}} \text{ - Gallons}
 \end{aligned}$$